



> EUROTANK ADBLUE III

✓ TECHNICAL SPECIFICATIONS

SPECIFICATIONS		SPECIFICATIONS	
Capacity	1000 L	Features	Level indicator (L) ³
	1500 L		Forced ventilation with temperature control
	3000 L		Flexible filling hose
	5000 L		Guillemín 2" filling connector
	10000 L		Main electrical board
Flow rate	10 l/min (light vehicles)		Power supply 230V/50Hz
	40 l/min (heavy vehicles)		High density polyethylene tank
Service door*	Side A		PVC retention basin (650g/m ²)
	Front ²		Service door
Options	Heating system		Roof hinged access door
	Stainless steel submersible pump 0.55kw		Reinforced roof frame (for maintenance)
	Stainless steel filling pipe	Reinforced base structure for easy transportation /Displacement/ instalation	
	Overfill valve ¹		
	Corporate image		
	TODD-Matic 2" filling connector		

LEGEND:

¹ Only available with rigid filling hose;

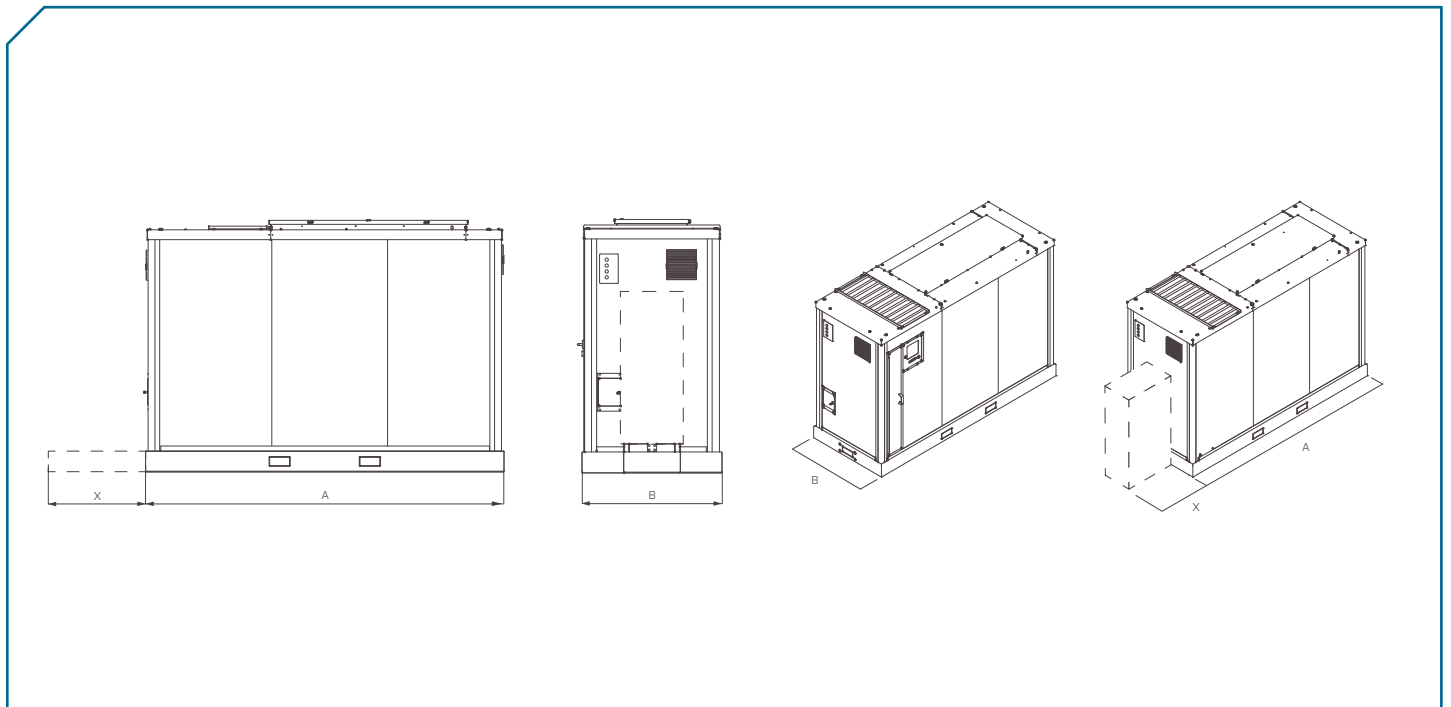
² Only available for the 3000L version;

³ Empty, filling point, full.

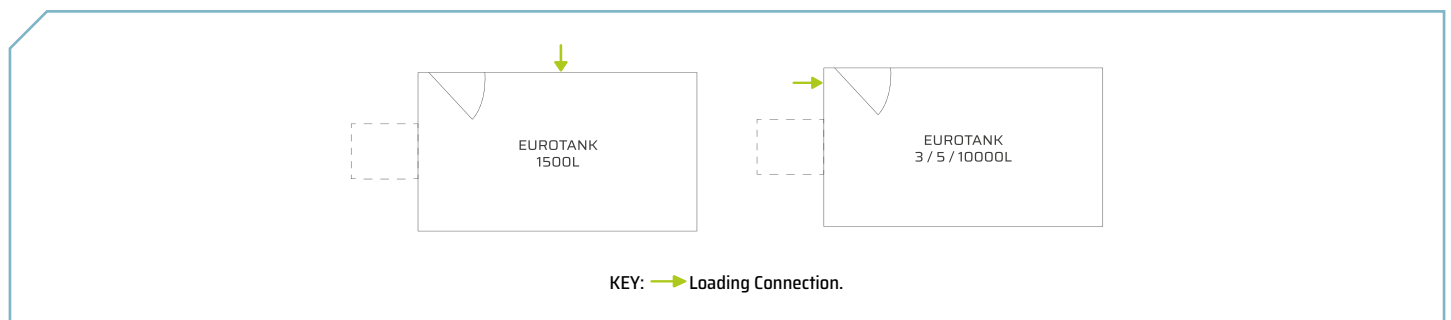
✓ DIMENSIONS CHART

DIMENSIONS							
	Volume	Length (A)	Width (B)	Height (C)	Weight	Optional Dispensers	Coupling Dock (X)
EUROTANK ADBLUE III COMPACT	1000 L	1800 mm	980 mm	2450 mm	600 Kg	P1000 / P1000R w/ or wo/heating	840 mm
	1500 L	2440 mm	1200 mm	2150 mm	800 Kg	P1000 1P2H/ P1000R 1P2H w/heating	1480 mm
	3000 L	3200 mm	1200 mm	2150 mm	1000 Kg	P5000 AdBlue 1P	1480 mm
	5000 L	2900 mm	2200 mm	2500 mm	1420 Kg		
	10000 L	4900 mm	2200 mm	2500 mm	1850 Kg		

✓ DIMENSIONS LAYOUT REPRESENTATION



✓ SERVICE DOOR LAYOUT*



MOD. IBEUROTANKADBLUEIII 04_2018

© 2018 Petrotec Group | All rights reserved. Petrotec, the Petrotec logo, Progress and combinations thereof are registered trademarks of Petrotec Group. Other names are informational and may be trademarks of their respective owners. Petrotec is continuously improving its products. Changes on the specifications may occur without prior notice. The imagery used may be indicative of style only. The available brochures are a guide and do not constitute an offer or contract.

